

Mode	d'emploi	-	Gamme	Compact	59	
User	Manual	-	Compact	59	Range	
Gebrauchsanweisung		-	Reihe	Compact	59	
Modo	de	empleo	-	Gama	Compact	59
Gebruiksaanwijzing		-	Compact	59-lijn	-	
紧凑	59	系列	酒柜	用户	手册	



EUROCAVE 

Our biding desire is to support your passion for wine throughout the years... To do so, EuroCave has used all of its expertise to bring together the six essential criteria for serving wine:

Temperature

The two enemies of wine are extreme temperatures and sudden changes in temperature. A constant temperature allows the wine to fully develop.

Humidity

It's an essential factor, allowing the corks to retain their sealing properties. The level of humidity must be greater than 50 % (ideally between 60 and 75 %).

Protection from Light

Light, particularly its U.V. component, causes wine to quickly deteriorate by irreversible oxidation of tannins. It is therefore strongly recommended that you store wine in a dark place or protected from U.V. light.

Vibration

Vibrations disturb wine's slow biochemical development process and are often fatal for your finest wines. The "Main du Sommelier" supports adapt to the shape of the bottle and protect it from vibrations (anti-vibration technology).

Air circulation

A constant supply of fresh air prevents mould from developing in your cabinet. EuroCave cabinets benefit from a ventilation system with breather effect, which makes it very similar to the ventilation system of a natural cellar.

Storage

Moving bottles too often is harmful to wine. Having suitable storage that limits handling is essential.

All of these specific features are found in the Compact 59 wine cabinet by EuroCave that you have just purchased. Thank you for placing your trust in us.

Standard wine serving temperatures

French wines		Australian wines	
Alsace	10 °C/50 °F	Cabernet franc	16 °C/61 °F
Beaujolais	13 °C/55 °F	Cabernet sauvignon	17 °C/63 °F
Sweet white Bordeaux	6 °C/43 °F	Chardonnay	10 °C/50 °F
Dry white Bordeaux	8 °C/46 °F	Merlot	17 °C/63 °F
Bordeaux reds	17 °C/63 °F	Muscat à petit grain	6 °C/43 °F
Burgundy whites	11 °C/52 °F	Pinot noir	15 °C/59 °F
Burgundy reds	18 °C/64 °F	Sauvignon blanc	8 °C/46 °F
Champagne	6 °C/43 °F	Semillon	8 °C/46 °F
Jura	10 °C/50 °F	Shiraz	18 °C/64 °F
Languedoc-Roussillon	13 °C/55 °F	Verdhelo	7 °C/45 °F
Provence Rosé	12 °C/54 °F		
Savoie	9 °C/48 °F	Other wines	
Dry white Loire wines	13 °C/55 °F	Californie	16 °C/61 °F
Sweet white Loire wines	7 °C/45 °F	Chilean	15 °C/59 °F
Loire reds	14 °C/57 °F	Spanish	17 °C/63 °F
Rhône wines	15 °C/59 °F	Italian	16 °C/61 °F
Sweet wines from the South-West	7 °C/45 °F		
Reds from the South-West	15 °C/59 °F		



1 - Description of your wine cabinet

6



2 - Power supply

7



3 - Protecting the environment - Ecodesign

7



4 - Installing your wine cabinet

7

I - Building in

9

II - Reversibility of the lock

11

III - Alternative hanging of a door

12



5 - Arrangement - Storage

13



6 - Commissioning your wine cabinet

15

I - Connection

15

II-A - Description (I-temperature model V059 - V259)

15

III-A - Temperature settings

15

II-B - Description (multi-temperatures model S059 - S259)

16

III-B - Temperature settings

16

IV - Humidity level display

17

V - Lighting mode adjustment

17

VI - Carbon filter counter log display

17



7 - Everyday maintenance

18



8 - Operating faults

18



9 - Energy and technical features

19

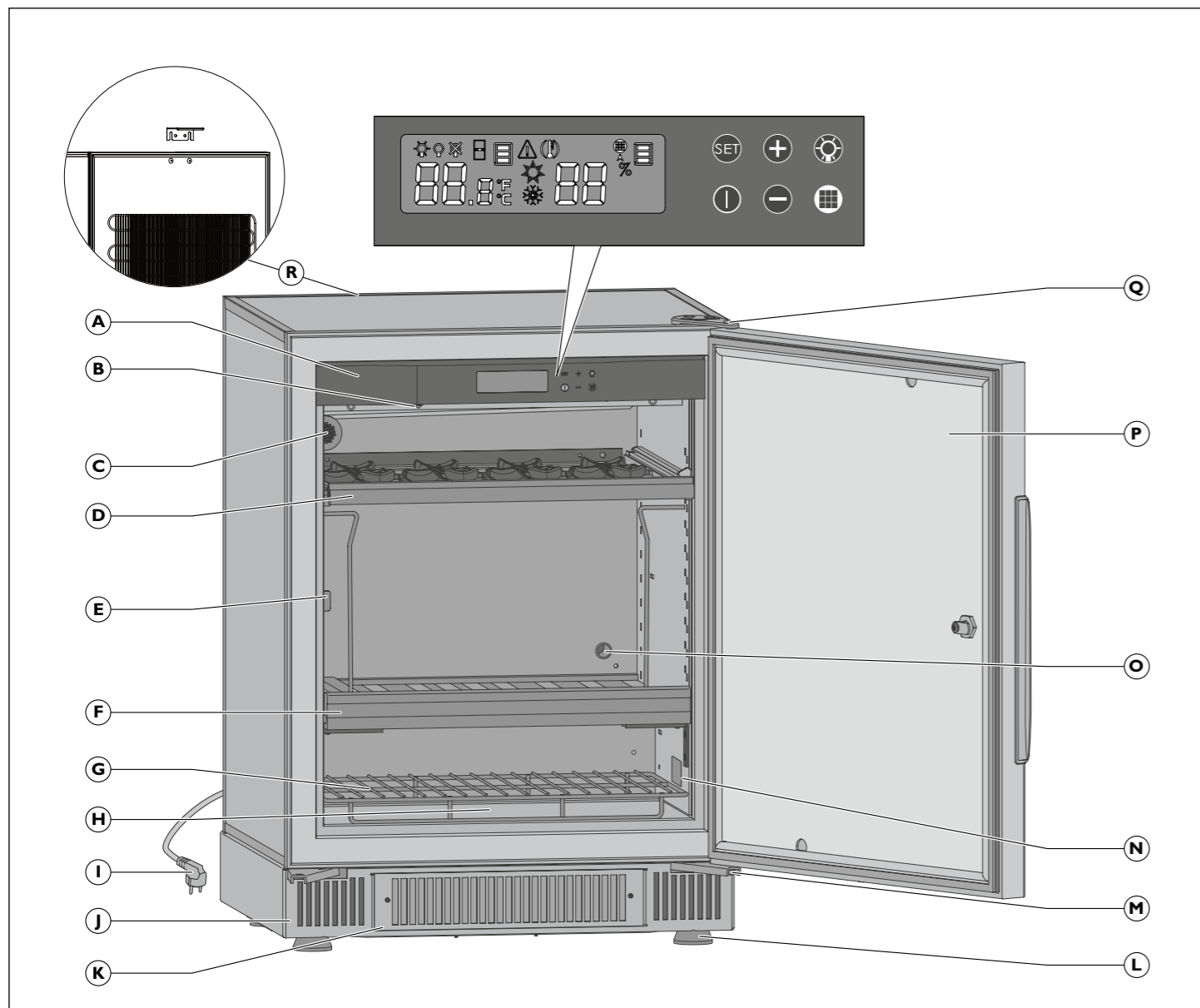


10 - Storage layout examples

111



1/ DESCRIPTION OF YOUR WINE CABINET



- | | |
|--|---|
| A Control and adjustment panel | L 4 adjustable levelling feet |
| B Light (2 leds) | M Lower hinge (x2) |
| C Air circulation hole + Active carbon filter | N Specification label |
| D Sliding shelf | O Free air circulation hole |
| E Closing clip | P Door (fitted with handle and a double movement lock) |
| F Storage shelf | Q Upper hinge |
| G Grid | R Rear stop (S-259V3 - V-259V3) |
| H Humidity cassette (I temperature models) | |
| I Power lead | |
| J Base with front ventilation | |
| K Aeration filter access grille | |



2/ POWER SUPPLY

The wine cabinet power lead has a plug to be plugged into a standard earthed socket to prevent any risk of electric shock.



For your personal safety, the wine cabinet must be correctly earthed. Ensure that the plug is correctly earthed and that your installation is protected by a circuit breaker (30 mA*).
*not applicable to some countries.



Have the mains socket inspected by a qualified electrician who will check that it is correctly earthed and will carry out, if need be, work to bring your installation into line with standards.

Contact your usual EuroCave dealer to change the power lead if it is damaged. It must be replaced by a part which has an original manufacturer's guarantee.



If you are moving to a foreign country, check whether or not the cabinet's characteristics correspond to the country (voltage, frequency).



3/ PROTECTING THE ENVIRONMENT

ECODESIGN

Spare parts for our appliances are available for 11 years. For further information, contact your EuroCave stockist. For France, contact our customer service department. Contact details at www.eurocave.com



Disposing of packaging

The packaging used by EuroCave is produced in recyclable materials. After unpacking your cabinet, take the packaging to a refuse collection point. For the most part, it will be recycled.

Recycling: a caring gesture

Electronic and electrical equipment has potentially harmful effects on the environment and human health, owing to the presence of dangerous substances. Therefore, you must not trash electrical and electronic equipment with non-sorted municipal waste.

When purchasing a new EuroCave product, you can entrust the recycling of your old appliance to your EuroCave dealer. Speak to your EuroCave dealer, he will advise you on the disposal and collection arrangements set up within the EuroCave network. In compliance with legislation on protecting and caring for the environment, your wine cabinet does not contain C.F.C.s.

Energy-saving

Install your cabinet in a suitable location (see following page) and observe the recommended temperature ranges.

- Keep the door open only for very short periods.
- Ensure that the door seal is intact and that it is not damaged. If it is, contact your EuroCave dealer.
- We recommend that you fill your wine cabinet to at least 75% of its total capacity.

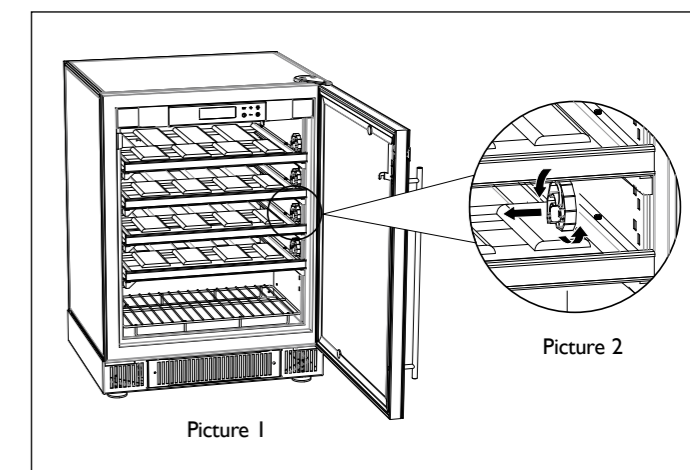
Disable unusable appliances by unplugging them and removing the power lead.



4/ INSTALLING YOUR WINE CABINET

Unpacking

- When your cabinet is delivered, check the outside for signs of damage (impact, warping...).
- Open the door and check that the various elements inside are intact (walls, Main du Sommelier supports, hinges, bottle support...).
- Protective wedges for transportation have been attached to each shelf. 2 wedges per shelf (Picture 1). Remove all of them using a rotating movement (Picture 2). You can retain these wedges and reuse them if you have to transport your wine cabinet over a long distance.



Installation

Transport your cabinet to the chosen location.

It must:

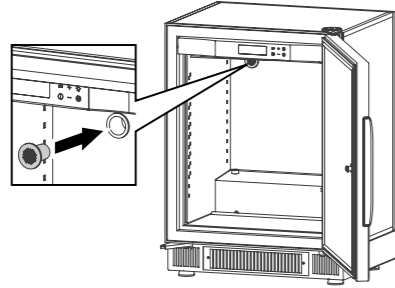
- be away from any heat source
- be open on the outside to allow air to circulate (not a closed cupboard...)
- not be too damp. Max 85% ambient humidity (linen cupboard, laundry room, bathroom...).
- have a stable, flat floor,
- have a power supply (standard socket, 16 A, earthed with circuit breaker, 30 mA* (*not applicable to some countries).



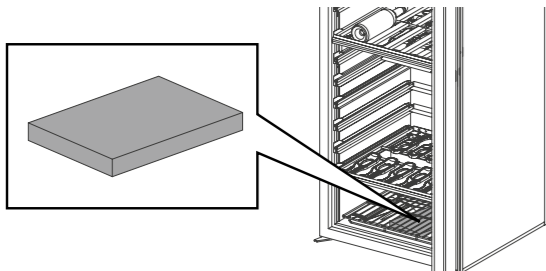
4/ INSTALLING YOUR WINE CABINET

Precautions

- Do not place your cabinet in an area likely to be flooded.
- Do not position your cabinet near to a source of heat or expose it to the effects of direct sunlight.
- Prevent water from splashing on the entire rear section of the appliance.
- Position your appliance so that there is a minimum space of 5 – 10 cm between the wall and the rear wall of your cabinet.
- If you are positioning your cabinet under a work surface, leave a minimum space of 5 cm all around the appliance including under the work surface. Allow for a ventilation grill on the work surface (recommended).
- Install the carbon filter, which you will find inside your cabinet's "accessories" packet, by placing it in the air circulation hole located inside the cabinet on the top left hand side (see diagram below).
- Arrange the power lead so that it is accessible and does not come into contact with any component of the appliance.
- Slightly tilt the cabinet backwards to adjust the front feet (adjusted by screwing or unscrewing), so that you can level your cabinet (use of a spirit level is recommended).



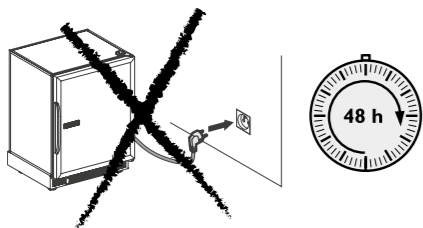
- For single-temperature models only:
 - If you notice low humidity levels (<55%) a few days after setting your wine cabinet into operation, we recommend that you use the humidity cartridge, supplied in a bag with the appliance. Place it at the bottom of the cabinet, under the rack in the drip tray provided (see diagram below).
 - When using for the first time, completely immerse your cartridge in tap water for a few minutes to saturate it then allow it to dry. Depending on external conditions, it may be necessary to add a 10cl glass of water after several months.



i If you leave your wine cabinet closed for long periods (>3 months) in an environment where the temperature is close to your cabinet's temperature setting (a difference of about <5°C) this could create an environment in which mould develops or cause your bottles's labels to peel off. Lack of dehumidification and air renewal can create significant humidity inside the cabinet. We strongly recommend that you regularly monitor your cabinet and clean it once a year.

- Never obstruct the front ventilation grid.

! Beware: any changing of the control panel LED should only be carried out by a qualified electrician.

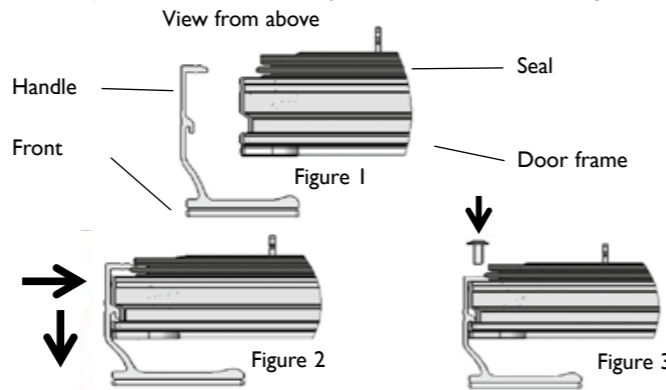


Fitting the handle

(Full Glass door only on models S-059V3, V-059V3, S-259V3, V-259V3)

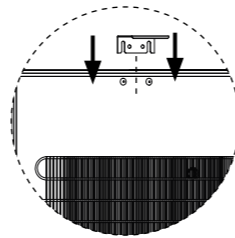
- Unscrew the three screws placed on the side of the door, using the Allen wrench, which you will find in the handle's box.
- Position the handle on the specially designed groove on the door frame (figure 2).
- Insert the handle all the way into the groove using a forward movement (Revissez les trois vis (figure 3)).
- Screw the three screws back on (figure 3).
- Take care not to catch the seal when screwing.

Note: adjustment of the handle is possible thanks to the oblong holes.



Note : Un Install the stop (which is located in the accessories bag) at the back of the cabinet (on models S-259V3, V-259V3) / see diagram).

- This allows a space of 7 cm to be maintained between the wall and the rear of the cabinet. This space allows your cabinet's power consumption to be optimised.
- Place the 2 caps in the 2 holes at the top of the cabinet.
- Do not push the caps all the way in, in order to allow the rear stop to be installed.
- Slide the rear stop between the caps and the wall of the cabinet, then push the 2 caps all the way in.



4/ INSTALLING YOUR WINE CABINET

Wall fixing of the cabinet

For large models, if the wine cabinet is not being built in, it is essential to secure it to the wall to prevent it from tipping forward. You will find all the necessary parts in the accessories bag supplied with the unit. For installation (see diagram below):

- Loosen the screws **A**.
- Attach the bracket **B** to the cabinet with the screws **A**.
- Clip the nut **C** to this bracket **B** (preferably choose the hole nearest to the cabinet).

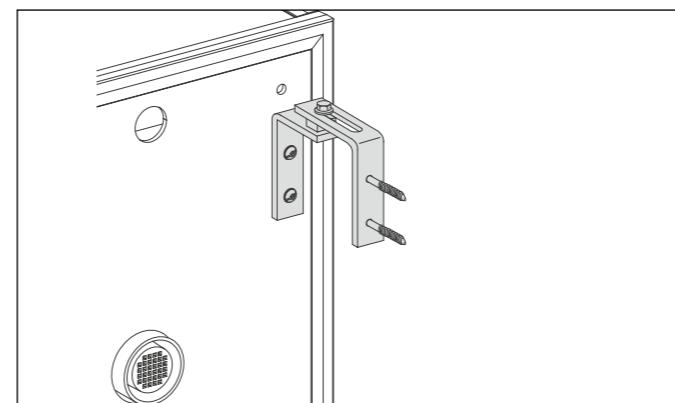
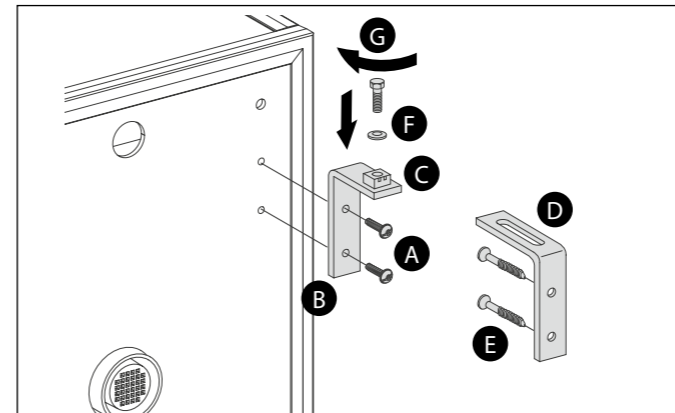
! Warning: make sure that the part is correctly clipped by pulling upwards by hand. The clip must not come out.

- Preposition the wall bracket **D** (on the nut to determine the position for drilling the holes for the wall-mounting screws,
- Drill the holes then attach the wall bracket **D** with suitable screws **E**.

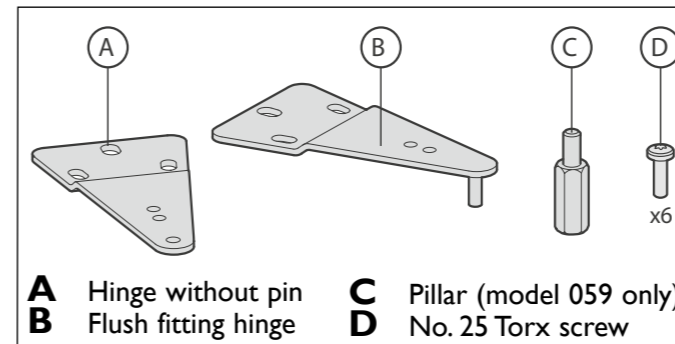
! Warning: ensure that the wall fixing can withstand a tensile force of 100 kg.

- Tighten screw **G** with the washer **F** until it is screwed fully in and there is contact between the wall bracket **D** and the nut **C**.

Only full tightening of the screw will ensure correct fixing of the unit. Repeat the installation on the other side of the cabinet.



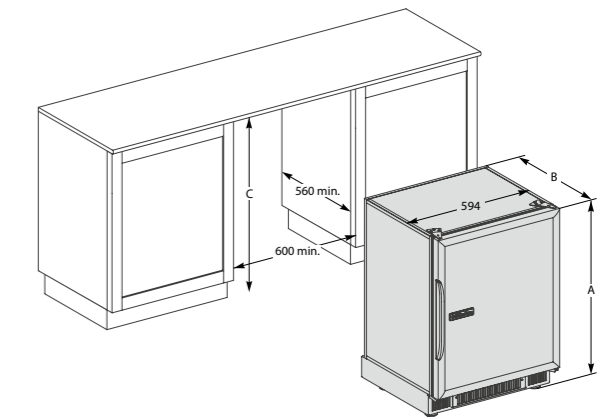
I. Building in



Dimensions for solid, glass or full glass door:

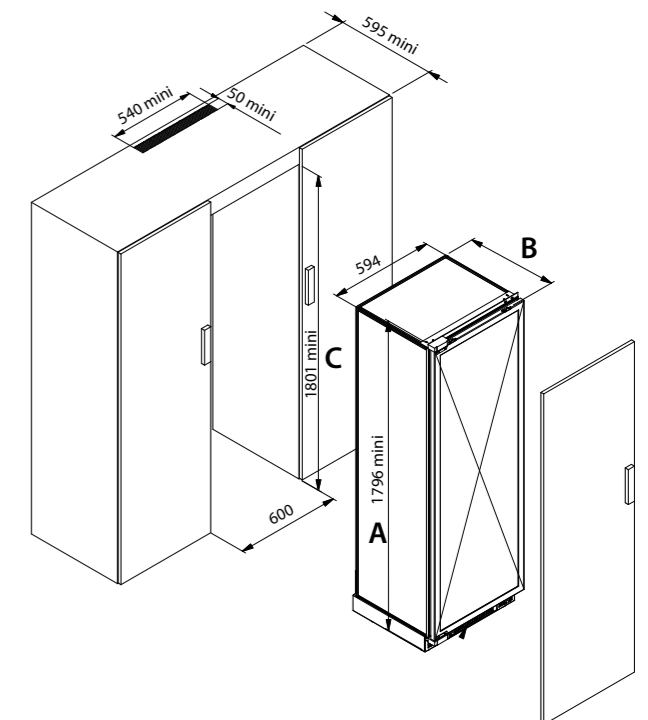
	A maxi	A mini	B		C mini
059	834	818	Solid door	555	823
			Glass door	555	
			Full glass	555	
259	1794	1778	Solid door	572	1783
			Glass door	595	
			Full glass	595	

259 : It is essential that the unit inside which the cabinet will be fitted has an opening at the top, at the back, measuring at least 540mm in length and 50mm in width (see technical door diagram).



Dimensions for a technical door:

	059	259
A maxi	852	1812
A mini	836	1796
B	555	595
C mini	841	1801

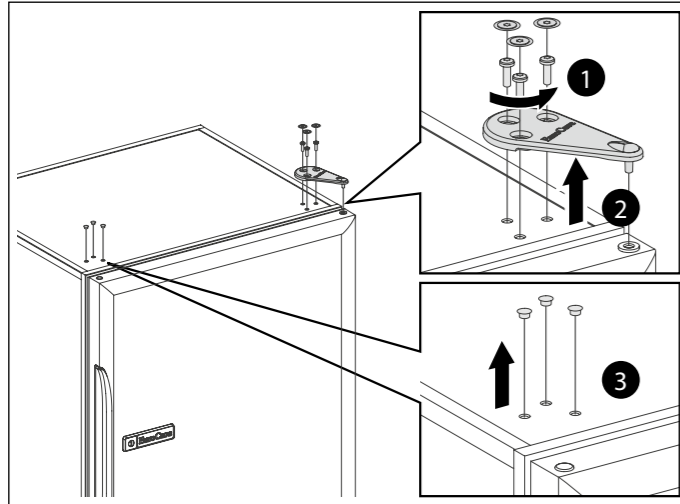




4/ INSTALLING YOUR WINE CABINET

Changing the hinges

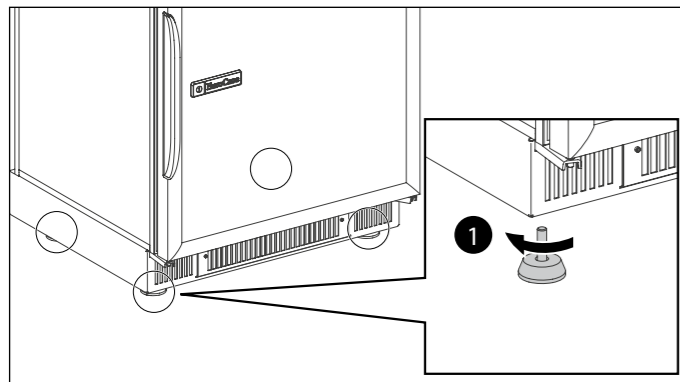
- 1 Loosen the three screws using the Torx "T25" tool.
- 2 Remove the upper hinge.
- 3 Remove the grommets gently using a fine blade.



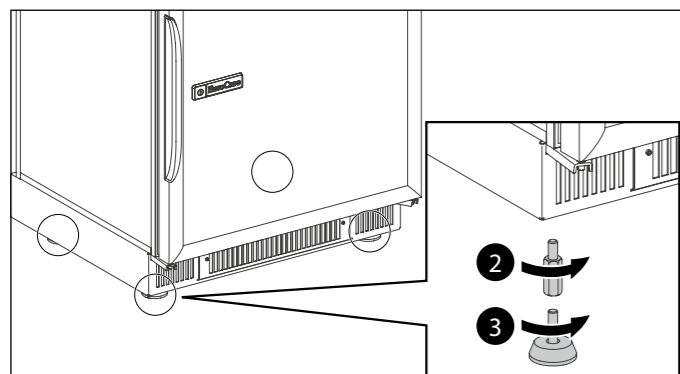
Precautions: If you lift off the glass door of the cabinet, never place it on its edges which may cause it to break.

Adjusting the mounting feet and attachment (only when the cabinet is empty)

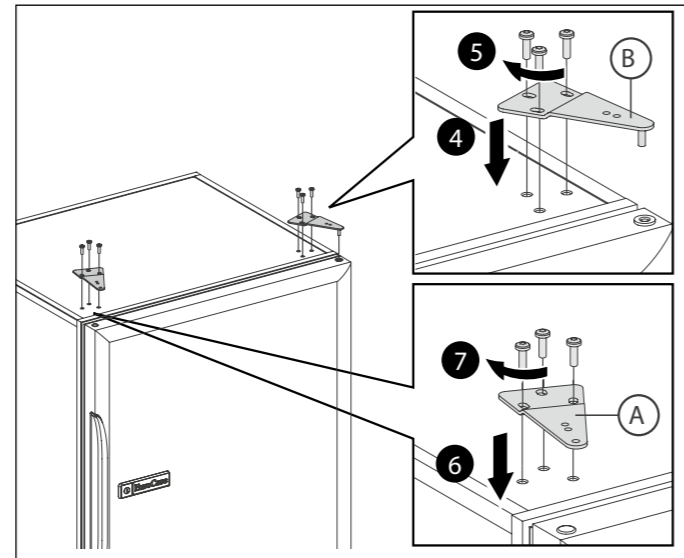
- The 4 feet of the wine cabinet are adjustable in height so that the height below the work surface or in the unit can be adjusted, and to align the door with adjacent furniture.



- If necessary, use the hexagonal pillars that you will find in the "accessories" bag.
- Tilt the unit forward, taking care to keep the door closed.
- Unscrew the rear feet and install the pillars, using a 17 mm flat spanner.
- Screw the 2 rear feet back onto the pillars.



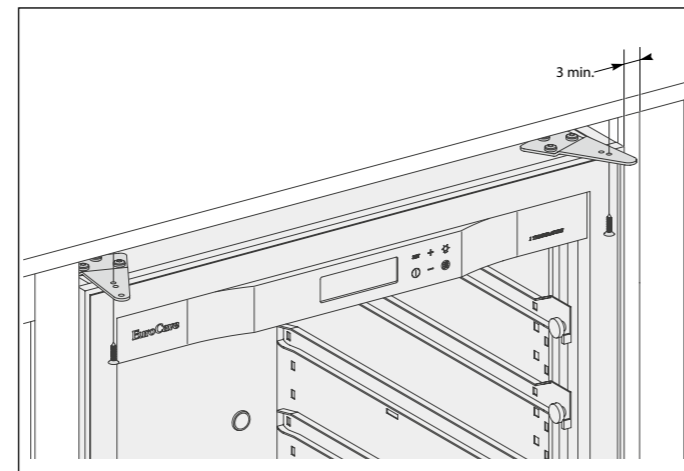
- Fit the hinge with pin **B** using the screws so that the door is parallel to the cabinet.
- Fit the hinge without pin **A** with the screws.



Precautions: When closing the door, check that the seal adheres correctly to the cabinet so that it is airtight.

- Repeat these operations for the 2 front feet, taking good care to tilt the unit backwards.

Never obstruct the front ventilation grille which would impair the operation of the wine cabinet



- Use the correct screws to secure the wine cabinet under the work surface or in the unit through the holes provided in the hinges.

Precautions: on the side of the axis of rotation of the door, position the latter a minimum of 3 mm from adjacent furniture.



The mains power socket must be accessible after installation of the unit.

For medium and large models, it is **essential** to secure the cabinet to the wall to prevent it from tipping forward. Have your cabinet checked by a professional to confirm that it is fixed to the furniture and that the furniture is fixed to the wall.



4/ INSTALLING YOUR WINE CABINET

Attachment of a furniture door with a technical door

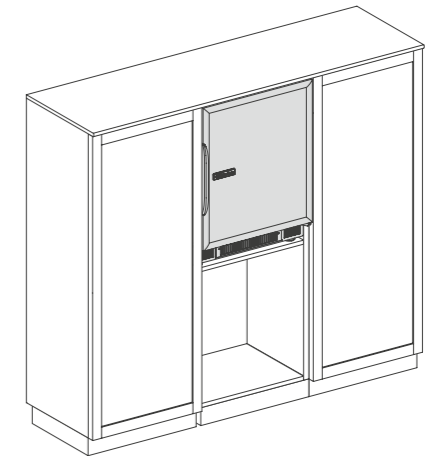
- Position the cabinet level under the work surface or in the furniture.
- Open the cabinet door 90°.
- Fix the facing of the kitchen furniture to the cabinet door (8 screws supplied).
- Check that the seal is airtight.

Installing a cabinet within a high level kitchen unit



For safety reasons, we do not advise installing the wine cabinet in a kitchen unit.

If this is the case, check with a furniture specialist that the unit supporting the equipment and the surrounding furniture can support the weight of the cabinet when filled with full bottles, or 200 kg. Have its stability checked by this specialist when opening the door and removing shelves loaded with full bottles.

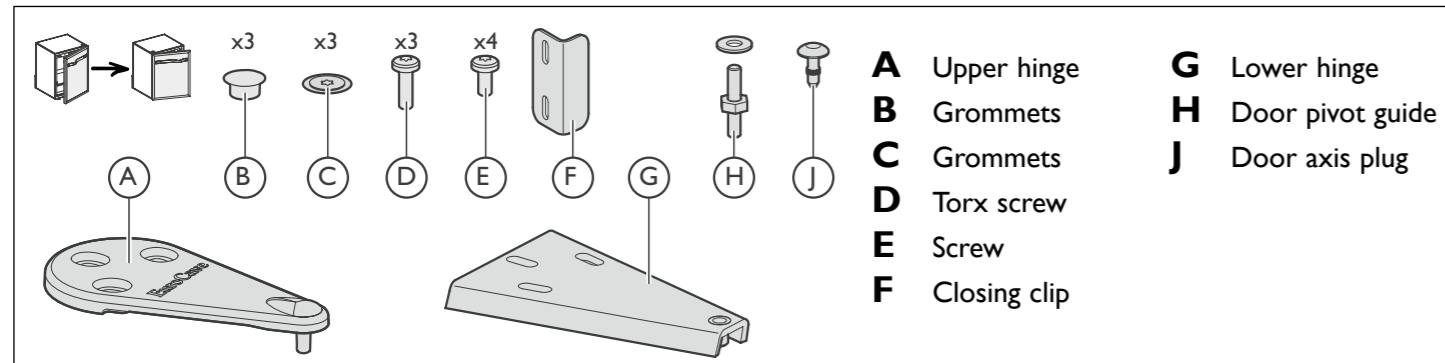


The weight of the facing must not exceed 15Kg.

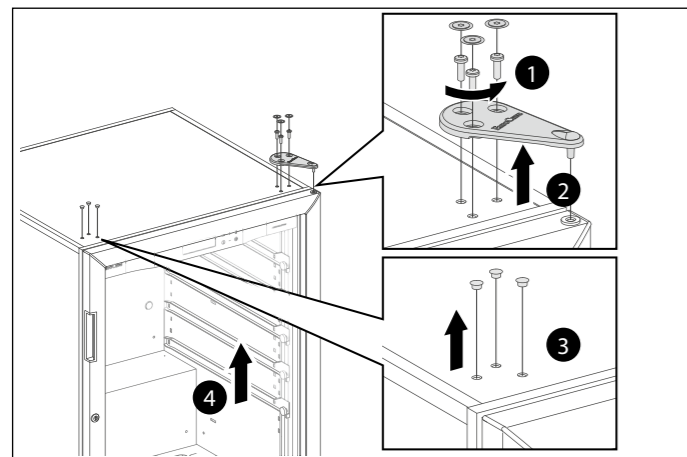


4/ INSTALLING YOUR WINE CABINET

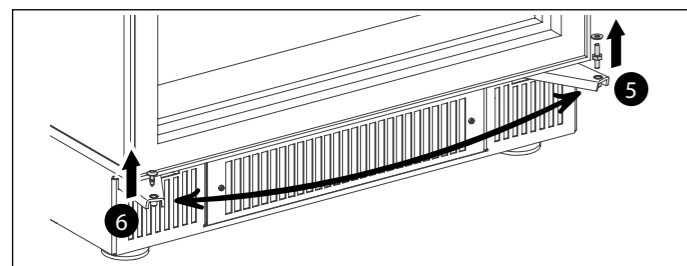
III. Alternative hanging of a door (glass door and full glass door only)



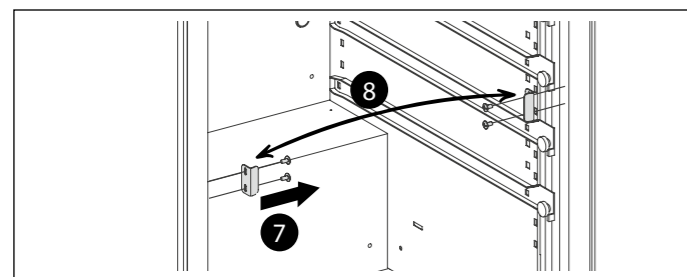
You can change which way it opens. Proceed as follows (example for changing a right hand door to a left hand door):



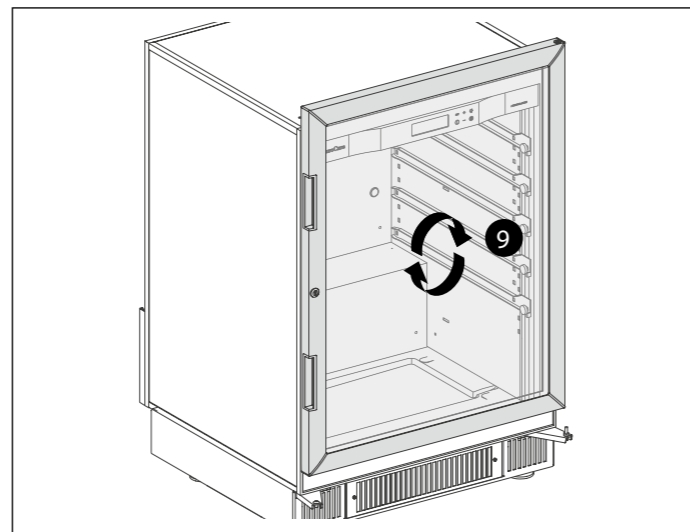
- 1 Loosen the three screws using the Torx "T25" tool.
- 2 Remove the upper hinge.
- 3 Remove the grommets gently using a fine blade.
- 4 Lift the door from the lower hinge by opening the door slightly and then lifting it.



- 5 Loosen the door pivot guide.
- 6 Remove the grommets gently using a fine blade and in its place fit the pin. Relocate the grommet on the opposite side.



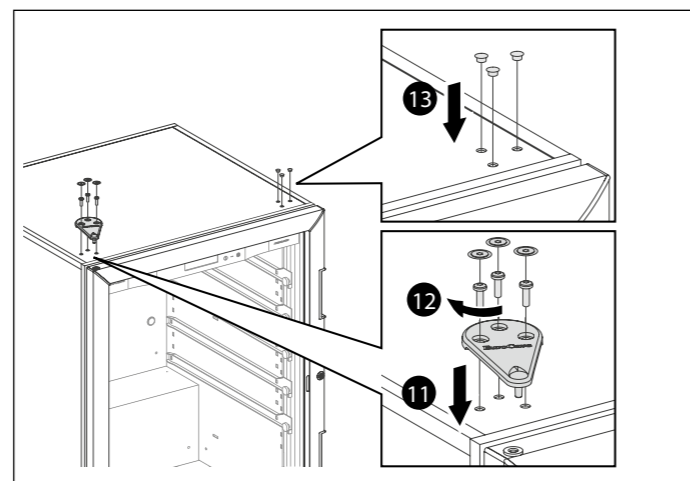
- 7 Loosen the four screws.
- 8 Locate the foot on the other side of the housing using the screws.



- 9 Turn the door 180°.

Warning: the glazed doors are very heavy. Take all necessary precautions not to injure yourself or drop the door.

- 10 Replace the door on its pivot guide.

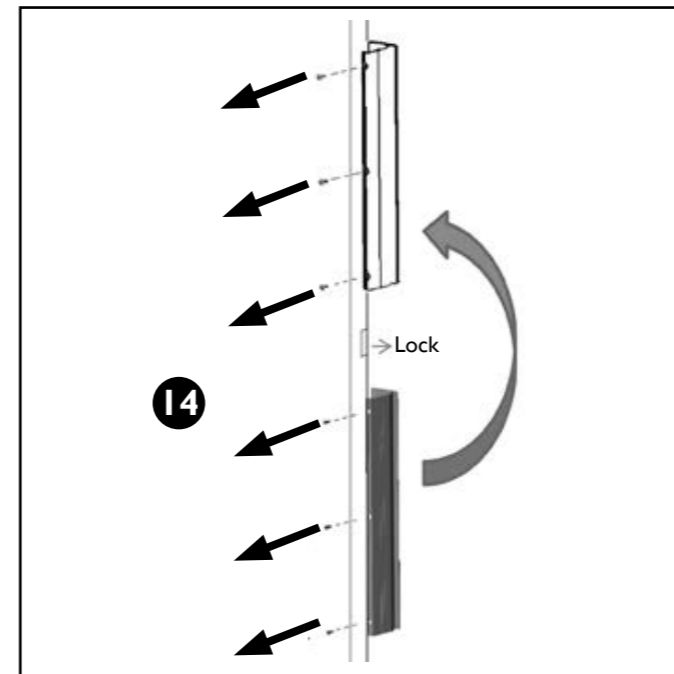


- 11 Relocate the upper hinge.
- 12 Relocate the hinge in such a way so that the door is parallel with the case. Check (by closing the door) that the seal adheres well to the housing and is leak proof.
- 13 Replace the grommets.

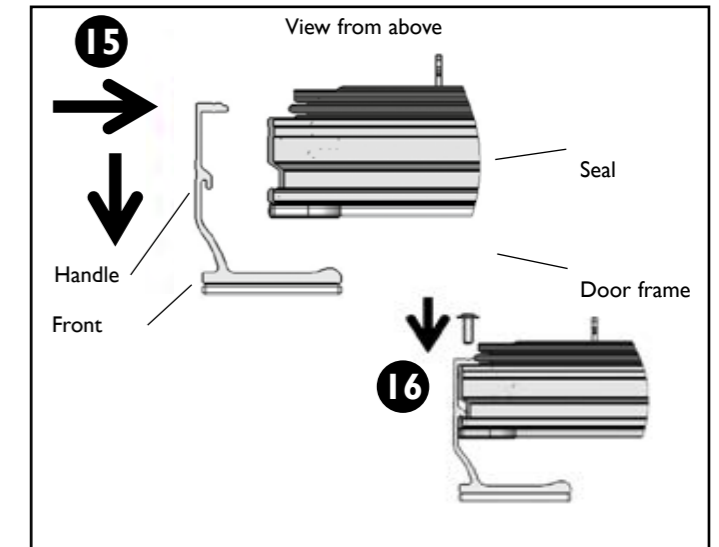


4/ INSTALLING YOUR WINE CABINET

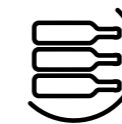
Alternative hanging of a door (Full glass door only on models S-259V3, V-259V3)



- 14 As the door has turned 180 degrees, reposition your handle above the lock (Full Glass and Black Piano doors only): Unscrew the six screws placed on the side of the door, using the Allen wrench (2,5 mm), which you will find in the handle's box.



- 15 Position the handle on the specially designed groove on the door frame. Insert the handle all the way into the groove using a forward movement.
- 16 Screw the six screws back on. Take care not to catch the seal when screwing.

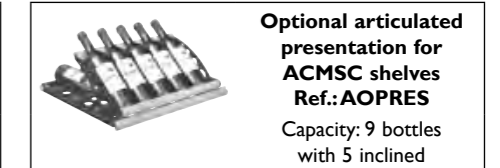
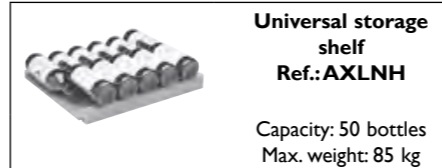


5/ LAYOUT – STORAGE



Your wine cabinet EuroCave has been designed to evolve. Depending on the model, it can be adapted to your requirements and be modified in terms of storage.

Various storage methods

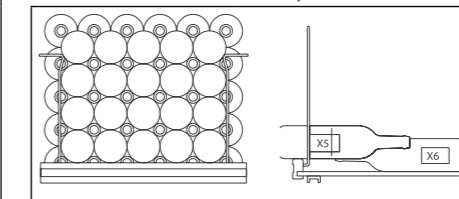


The layout of your wine cabinet can be modified according to your requirements. Refer to pages 72 to 74 to look at arrangement examples.

How to use the storage shelf (Ref. AXLNH)

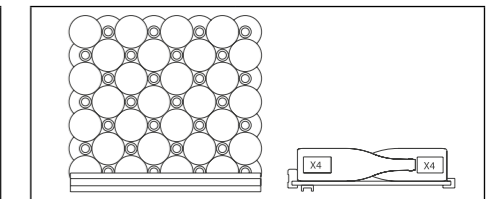


To store bottles of **Bordeaux**: Turn each metal rod so that it is in contact with the wall of the cabinet. Storage for 4 rows at the front and 5 rows at the back, or 50 bottles*.



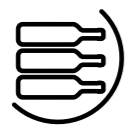
* Each shelf is fitted with a label holder.

To store bottles of **Burgundy**: Remove the metal rods. Storage on 7 levels, 8 bottles on each level, or 56 bottles*.



We strongly recommend that you do not leave your wine bottles:

- Wrapped in tissue paper inside your EuroCave wine cabinet. Tissue paper does not tolerate ambient humidity in the long-term. The saturated paper will stick to your bottle labels and damage them.
- Stored in cardboard packaging or a wooden case in your EuroCave wine cabinet, in order to encourage maximum air flow around the bottles and prevent the packaging from deteriorating, which could eventually contaminate your wine bottles.



5/ LAYOUT – STORAGE

Advice on arranging your wine cabinet

Your EuroCave wine cabinet has been designed to store a maximum number of bottles in total safety. We recommend that you abide by the following few suggestions in order that the maximum storage capacity can be obtained.

- Make sure that you distribute your bottles as evenly as possible onto the various shelves contained in your cabinet so as to spread the weight equally. Also take care that your bottles do not touch the cabinet's back wall.
- Make sure you distribute your bottles evenly throughout the height of the wine cabinet (avoid loading all bottles at the top or all bottles at the bottom).
- Be sure to observe the storage recommendations in accordance with the type of storage facility provided by your cabinet. Never stack more than one layer of bottles on a sliding shelf.

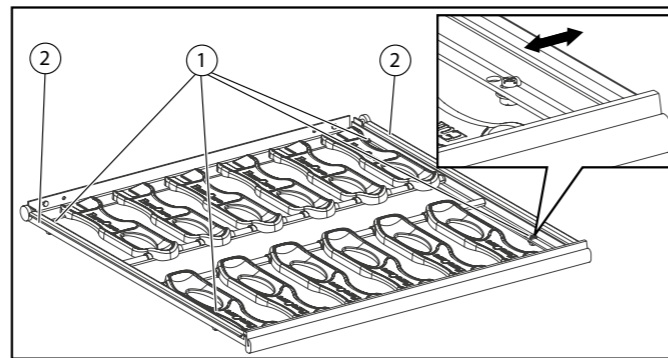
Adding sliding shelves

When you purchase your wine cabinet, the dimensions of the sliding shelves have been adjusted so that they fit perfectly into the interior of your cabinet. In the event that you purchase another sliding shelf, if necessary, you can adjust it yourself. To do this, loosen the right and left screws ① of the first slider ② (2 screws), then adjust the slide to the width required and retighten the screws. Repeat the procedure for the second slider (if required).

- If you have sliding shelves, for easy day to day access it is a good idea to place them in the upper part of your wine cabinet.
- **For this reason, place one or two bottles of each of your various wines on the sliding shelves and your reserve stock on the storage shelves. Then all you have to do is top them up as required.**
- **When using your wine cabinet, never pull out more than one sliding shelf at a time.**



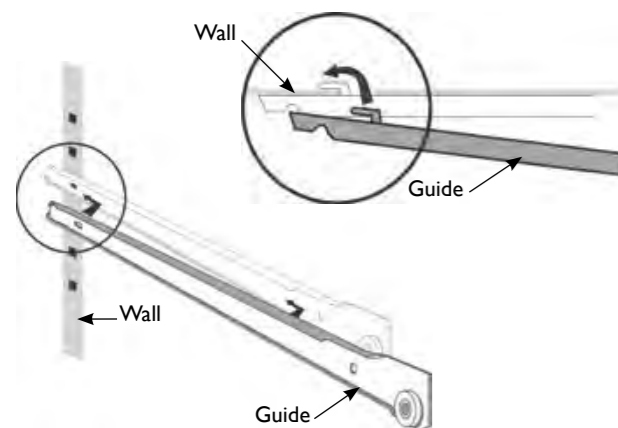
Warning: Never modify the position of your wine cabinet's bracing bar, and never manoeuvre this part when the cabinet is stocked (259).



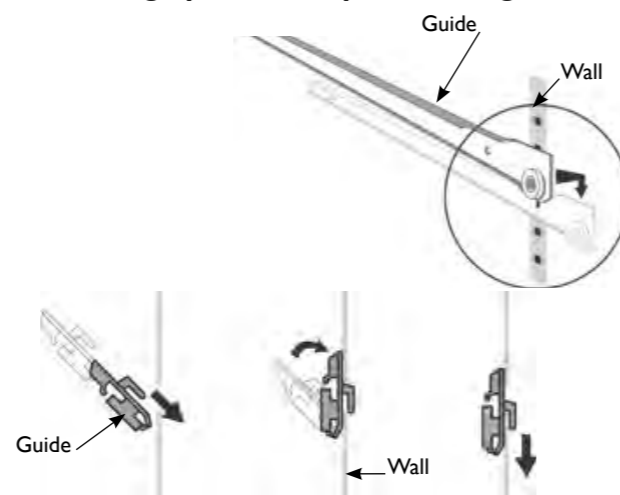
Change position of a sliding shelf

- Fully unload the sliding shelf.
- Then lift out the sliding tray by sliding it forwards whilst at the same time lifting it from the front.
- Find the runner guides on the left and right and remove.
- Reinstall them in the new position (see diagram below).

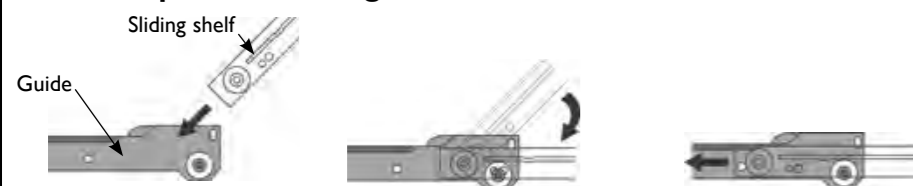
A. Setting up the rear part of the guide



B. Setting up the front part of the guide



C. Then replace the sliding shelf



6/ USING YOUR WINE CABINET FOR THE FIRST TIME

I. Connection and starting up

Wait 48 hours before plugging in your wine cabinet.

To switch it on, press and hold down button **I** for 5 seconds.



Have your plug checked (presence of fuses, amps and 30 mA circuit breaker). Fuse of 10A for one unit, 15A for two and 25A for three.

Use of multi-socket plugs is not recommended if it does not respect above electrical data as well.

Do not plug several cabinet into a multi-socket.



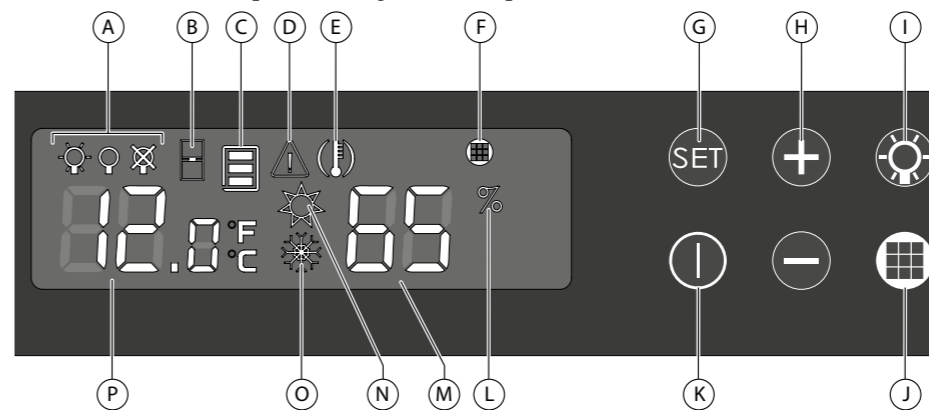
To ensure that your cabinet functions optimally, we recommend that you fill it to at least 75 % of its capacity.

Check your type of wine cabinet

Press the **+** and **-** keys simultaneously.



II-A. Description (I-temperature model V059 - V259)



The touch keys are very sensitive. There is no need to push the keys very hard. A simple, gentle touch is enough to register the setting. Think to lift your finger from the control panel between each touch.

A Lighting mode

B Door open alarm

C Temperature zone

D Fault sensor alarm

E Temperature alarm

F Carbon filter alarm

G Validation and settings access button

H Selection and adjustment buttons

I Lighting mode validation and access button

J Carbon filter counter log access button

K Power button

L Threshold humidity alarm

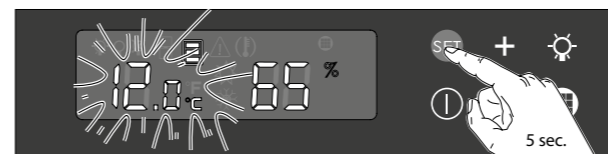
M Relative humidity level display

N Hot circuit indicator light

O Cold circuit indicator light

P Temperatures display

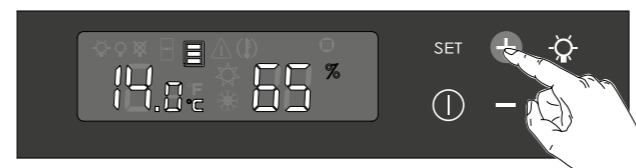
III-A. Temperature settings



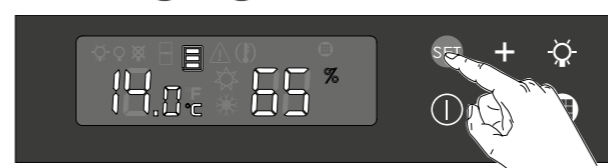
Press the **I** key for 5 s to activate.

1 Press the **SET** key about 5 s.

The display starts to flash.



2 Press the **+** or **-** keys to set the desired temperature.



3 Press the **SET** button to validate.



The value on the display is the actual temperature inside the cabinet, it is therefore necessary to wait before your new setting takes effect.

- The default setting is 12 °C/54 °F (ideal maturing temperature). However, this setting can be adjusted between 5 and 22 °C (41° and 72°F).
- Recommended maturing setting range: 10 to 14 °C (50° to 57 °F).

WARNING: to operate correctly your cabinet should be located in a room with a temperature between 0° and 30 °C (32° and 95 °F).



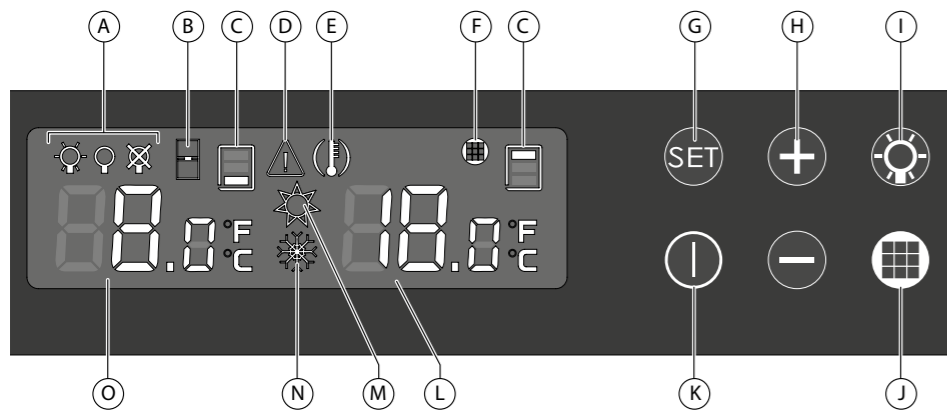
Converting your maturing cabinet into a service cabinet: you can use your I-temperature maturing cabinet as a service cabinet in order to bring your white and red wine to tasting temperature (setting range between 5° to 22 °C/41° to 72 °F):

- white wines: recommended setting between 6° to 10 °C (43° to 50 °F)
- red wines: recommended setting between 15° to 18 °C (59° to 64 °F).

This cabinet can therefore be used as a specific white or red wine service cabinet.



II-B. Description (multi-temperatures model S059 - S259)



- A** Lighting mode
- B** Door open alarm
- C** Temperature zone concerned
- D** Fault sensor alarm
- E** Temperature alarm
- F** Carbon filter alarm
- G** Validation and settings access button
- H** Selection and adjustment buttons
- I** Lighting mode validation and access button
- J** Carbon filter counter log access button
- K** Power button
- L** Highest cabinet temperature display
- M** Hot circuit indicator light
- N** Cold circuit indicator light
- O** Lowest cabinet temperature display

The touch keys are very sensitive. There is no need to push the keys very hard. A simple, gentle touch is enough to register the setting. Think to lift your finger from the control panel between each touch.

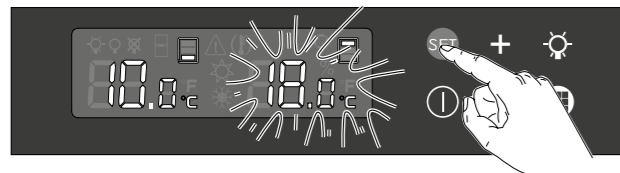
III-B. Temperature settings

Recommended setting range for the lowest temperature: 7 to 9 °C (45° to 48 °F).
Recommended setting range for the highest temperature: 17 to 20 °C (62° to 68 °F).



Press the **O** key for 5 s to activate.

- Press the **SET** key about 5 s. The display starts to flash.



- Press the **SET** button to validate. The right-hand display is flashing.



- Press the **+** or **-** keys to set the temperature of the lower section of the cabinet.



- Press the **+** or **-** keys set the temperature of the upper section of the cabinet
- Press the **SET** button to validate.

- The default setting for the lowest temperature range is 8 °C (46 °F). However, this setting can be adjusted between 5 and 12 °C (41° and 54 °F).
- The default setting for the highest temperature range is 18 °C (64 °F). However, this setting can be adjusted between 15 and 22 °C (59° and 72 °F).

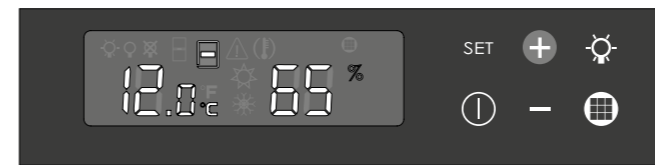
WARNING: to operate correctly your cabinet should be located in a room with a temperature between 12 and 30 °C (54° and 95 °F).

The value on the display is the actual temperature inside the cabinet, it is therefore necessary to wait before your new setting takes effect.

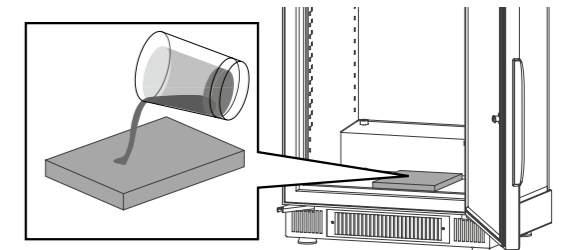


IV. Humidity level display

Your wine cabinet is fitted with a function for measuring the level of hygrometry, enabling you to visualise the level of relative humidity inside the appliance, when the setting is 9 - 15° C. The ideal level of hygrometry is above 50 %, ideally located between 60 and 75 %.



If you would like to increase the level of relative humidity in your cabinet, pour the equivalent of a glass of water on the humidity cassette. You need to remove the bottles before.



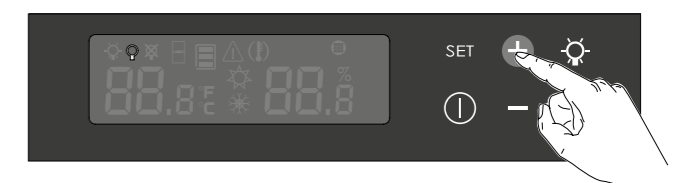
V. Lighting mode adjustment



- Press the **I** button. The active mode light flashes.

There are 3 possible lighting settings:

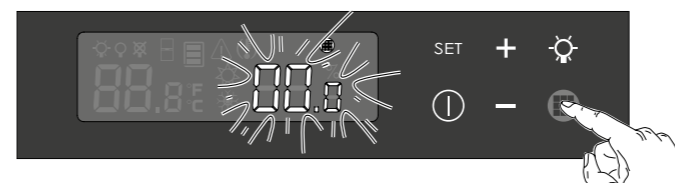
- Lighting all the time (for mood lighting when using a glass door cabinet, for example).
- Lighting when door opens (it goes out when the door is closed).
- Lighting disabled.



- Press the **+** or **-** keys to set the desired mode.
- Press the **I** button to validate. The alarm display go out.

Usage precautions: intense light, never look directly into the beam.

VI. Carbon filter counter log display

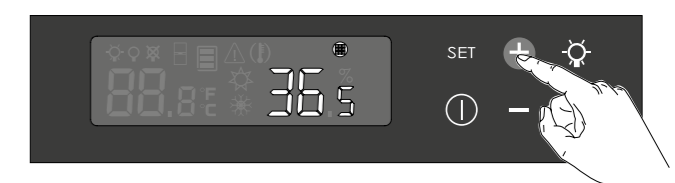


When activating or replacing the filter, adjust the counter to 365.

- Press the **J** key. The display is flashing.



- Press the **J** button to validate. The alarm display go out.



- Press the **+** key to adjust to 365.

i The carbon filter must be changed annually.

You can consult the counter by pressing the **J** key.

i In a particularly dry environment and/or in climatic conditions that are not very favourable (e.g. winter), you can use the "Hygro+" humidity kit which allows you to increase the level of humidity inside your wine cabinet.



7/ EVERYDAY MAINTENANCE



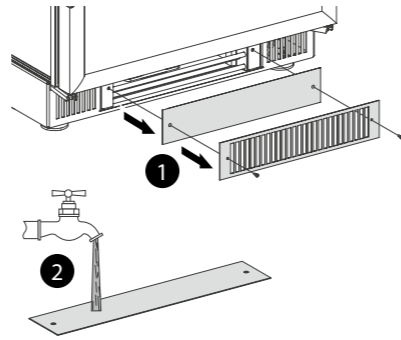
Your EuroCave wine cabinet is an appliance with tried and tested performance.

Maintenance operations to be carried out every 3 months

- Remove the 2 screws from the grille with a no. 2 hexagonal spanner (provided in the accessories bag).
- Remove the grille, take out the filter and place under running water.
- Leave to dry and refit the assembly.

Maintenance operations to be carried out approximately once a year

- Unplug and unload the appliance.
- Clean the water drain at the bottom of the wine cabinet. Pay attention that nothing is blocking this drain.
- Clean the inside of the compartments with water and a gentle cleaning product.
- Rinse thoroughly. Dry it with a soft rag.
- Replace the active carbon filter housed in the upper ventilation hole in your cabinet (see chapter 6, § VI). Manually remove the carbon filter. It is available from your usual dealer. It must be replaced using a manufacturer guaranteed part.
- Check that the door seals are in good condition. It is often necessary to clean the door seal. Using unsuitable cleaning products can cause premature ageing of the seals. Certain rules must therefore be followed: whenever you clean the seal, always rinse off any cleaning product with clear water. All traces of cleaning product must be removed from the seal. EuroCave only recommends using a mild soapy solution. If this proves insufficient, it is possible to occasionally use an ethanol-based solution, provided that the concentration used is less than 10% and that the seal is then rinsed thoroughly with clear water.



Monitoring your wine cabinet's performance and informing your stockist if a fault occurs are the best way of ensuring that your appliance provides you with years of faithful service.



Your appliance is equipped with a frost prevention device to protect you in the event of a cold circuit failure.



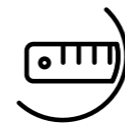
8/ OPERATING FAULTS

Possible incidents	Causes	Corrective action
The icon displays	The temperature has not dropped below the limit of $\pm 4^{\circ}\text{C} / 39^{\circ}\text{F}$	Check the door is closed properly. Check the condition of the door hinge. If you have placed a large number of bottles in your cabinet in the past few hours, wait a short while then check the temperature again. If the alarm persists, contact your EuroCave dealer.
The icon is still displayed even though I have performed the corrective action above	Operating faults	Disconnect the cabinet and contact your EuroCave dealer.
The icon displays	Open door alarm	Ensure the door is closed properly.
The icon flashes	The relative humidity rate falls below 65 % for more than 72 hours	<ul style="list-style-type: none"> • Add a glass of water on the humidity cassette (see chapter 6, § IV). • In order to obtain the time interval for adding water, count the number of days between the 1st day when water was added and the day when the pictogram was displayed. After a few hours the icon will go out.
The apparatus cannot lower the humidity to the desired level.		<ul style="list-style-type: none"> • Empty the cabinet, remove the humidity cassette and clean the tank. • Adjust the level of humidity to 75 % but do not install the pozzolana cassettes or replace them with new ones. Call the EuroCave dealer if the problem persists despite these different actions.
The icon displays	Carbon filter alarm	Replace the carbon filter (see chapter 6, § VI).
The icon displays	Temperature sensor defect alarm	Contact your EuroCave dealer.
The wine cabinet does not switch on.	/	Contact your dealer/EuroCave after-sales service.

Minimum duration of guarantee offered by the manufacturer: 2 years parts.



If your appliance appears to be functioning abnormally, contact your EuroCave dealer.



9/ TECHNICAL FEATURES AND ENERGY DATA

Compact 59						
	Height mm	Width mm	Depth mm	Weight when empty kg	Recommended temperature range	
					T° mini °C / °F	T° max °C / °F
I temperature						
V059	830	595	570	42	0 / 32	30 / 86
V259	1790	595	585	65	0 / 32	30 / 86
Multi temperature						
S059	830	595	570	40	12 / 54	30 / 86
S259	1790	595	585	63	12 / 54	30 / 86

Setting accuracy: $\pm 1^{\circ}\text{C} / 2^{\circ}\text{F}$, Display accuracy: $\pm 1^{\circ}\text{C} / 2^{\circ}\text{F}$.

According to delegated regulation (EU) 2019/2016 of the European Commission, access energy data about our appliances on the EPREL database by scanning the QR code visible on your appliance's energy label.

Data relating to American energy consumption regulations

REFERENCE	Model	Type of door	United States ¹ 115V 60Hz - R600a gas
			Annual energy consumption kWh/yr
V-059V3	Single temperature	Solid Technical Door	172
V-059V3	Single temperature	Glass and Full Glass door	172
V-259V3	Single temperature	Solid Technical Door	212
V-259V3	Single temperature	Glass and Full Glass door	212
S-059V3	Multi temperature	Solid Technical Door	172
S-059V3	Multi temperature	Glass and Full Glass door	172
S-259V3	Multi temperature	Solid Technical Door	212
S-259V3	Multi temperature	Glass and Full Glass door	212

¹Comply with DEPARTMENT OF ENERGY - 10 CFR Part 430 - Energy Conservation Program: Energy Conservation Standards for Miscellaneous Refrigeration Products.

Standards

Your product complies with the following standards:

- SAFETY DIRECTIVE 2006/95/EC**
Standards EN60335-1 : 2012+ A11 : 2014
EN60335-2-24 : 2010
- EMC 2004/108/EC**
Standard EN55014-1/2
Standard 62233 :2008
- ENVIRONMENT**
Directive 2010/30/EU
Regulation 1060/2010



R600a

According to the country, EuroCave wine cabinets contain a flammable refrigerant gas (R600a: ISO BUTANE)



EUROCAVE

Leader dans le domaine de la conservation, la présentation et le service des vins depuis plus de 40 ans, EuroCave vous propose des solutions adaptées à chacun de vos besoins. Caves à vin, rangements, climatiseurs de cave, système de Vin au verre... n'hésitez pas à contacter votre revendeur EuroCave pour toute information complémentaire !

Leader in the wine preservation, presentation and service sector for over 40 years, EuroCave offers you solutions adapted to every one of your requirements. Wine cabinets, storage layouts, cellar conditioners, wine by-the-glass system... don't hesitate to contact your EuroCave dealer for further information!

Seit mehr als 40 Jahren führend im Bereich der Lagerung, der Präsentation und dem Ausschank von Weinen schlägt Ihnen EuroCave Lösungen vor, die jedem Ihrer Bedürfnisse angepasst sind: Wein-, Zigarrenklimaschränke, Weinkeller-Kompaktklimaanlagen, Geräte für den glasweisen Offenausschank, Weinkeller-Regalsysteme. Zögern Sie nicht länger, setzen Sie sich mit Ihren EuroCave-Händler in Verbindung, wenn Sie noch irgendwelche Fragen haben!

Líder en el campo de la conservación, presentación y el servicio de vinos desde hace 40 años, EuroCave le propone soluciones adaptadas a cada una de sus necesidades. Bodegas, estanterías, climatizadores de bodegas, sistemas de vinos a la copa... ¡Para toda información complementaria, no dude en contactar a su distribuidor EuroCave!

EuroCave, al meer dan 40 jaar toonaangevend op het gebied van het behoud, de presentatie en het serveren van wijn, levert oplossingen aangepast aan elke behoefte. Wijnkasten, opbergssystemen, klimaatregelaars, Vin au verre-systeem... neem gerust contact op met uw EuroCave-dealer voor aanvullende informatie!

Leader nel settore della conservazione, della presentazione e del servizio dei vini da più di 40 anni, EuroCave vi propone delle soluzioni adatte a ciascuno dei vostri bisogni. Cantinette per vini, sistemi di stoccaggio, climatizzatori da cantina, sistemi di Vino al bicchiere... non esitate a contattare il vostro rivenditore EuroCave per qualsiasi informazione complementare!

作为红酒储藏、陈列和服务的佼佼者，在过去的40年，EuroCave一直致力于为您量身定制适合您的方案。EuroCave（环球葡萄酒）的经销商竭诚为您提供任何关于酒柜、储藏布局、酒窖调节、杯装系统红酒问题的资料。



www.eurocave.com